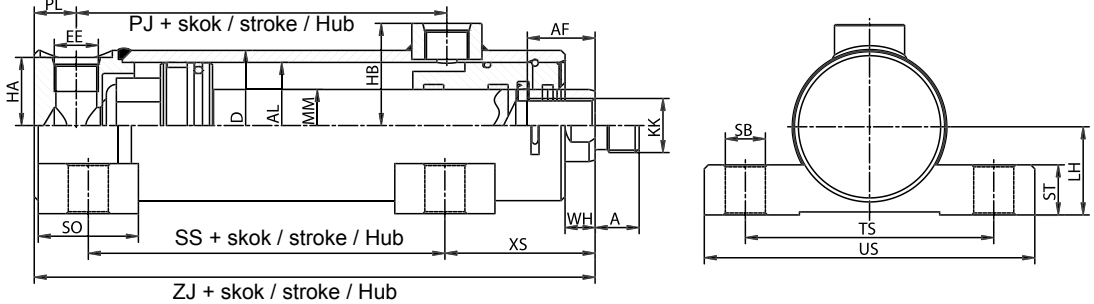


Cylinder tłokowy CJ7
Piston cylinder CJ7
Kolbenzylinder CJ7



| AL | 25 | 32 | 40 | 50 | 63 | 80 | 100 | 125 | 140 | 160 |
|----|---------|---------|---------|---------|---------|-------|-------|-------|-------|-------|
| MM | 16 | 22 | 22 | 28 | 36 | 45 | 56 | 70 | 80 | 90 |
| A | 14 | 16 | 18 | 20 | 22 | 30 | 36 | 45 | 50 | 56 |
| AF | 16 | 22 | 22 | 30 | 36 | 45 | 50 | 63 | 75 | 85 |
| D | 35 | 42 | 50 | 60 | 75 | 95 | 120 | 146 | 168 | 194 |
| EE | M14x1,5 | M14x1,5 | M16x1,5 | M16x1,5 | M22x1,5 | M27x2 | M33x2 | M33x2 | M33x2 | M33x2 |
| HA | 15 | 18 | 22 | 26 | 34 | 44 | 55 | 69 | 80 | 93 |
| HB | 29 | 33 | 37 | 42 | 50 | 61 | 75 | 88 | 98 | 110 |
| KK | M14x1,5 | M16x1,5 | M16x1,5 | M22x1,5 | M27x2 | M33x2 | M42x2 | M48x2 | M56x2 | M64x2 |
| LH | 28 | 28 | 31 | 38 | 44 | 57 | 68 | 85 | 95 | 115 |
| PJ | 58 | 61 | 64 | 73 | 85 | 105 | 124 | 138 | 155 | 154 |
| PL | 13 | 13 | 16 | 17 | 21 | 20 | 27 | 35 | 35 | 37 |
| SB | 9 | 11 | 11 | 14 | 20 | 20 | 26 | 26 | 26 | 33 |
| SO | 22 | 25 | 30 | 35 | 50 | 50 | 50 | 60 | 70 | 75 |
| SS | 58 | 61 | 64 | 73 | 85 | 105 | 124 | 138 | 154 | 166 |
| ST | 12 | 12 | 15 | 18 | 25 | 30 | 35 | 35 | 35 | 40 |
| TS | 68 | 68 | 83 | 102 | 124 | 149 | 172 | 205 | 220 | 250 |
| US | 90 | 90 | 110 | 130 | 165 | 190 | 240 | 255 | 270 | 310 |
| WH | 12 | 12 | 10 | 15 | 15 | 18 | 20 | 23 | 26 | 36 |
| XS | 44 | 55 | 58 | 62 | 74 | 85 | 96 | 108 | 115 | 135 |
| ZJ | 115 | 129 | 138 | 152 | 180 | 210 | 247 | 281 | 316 | 326 |

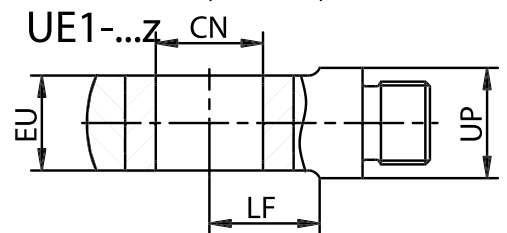
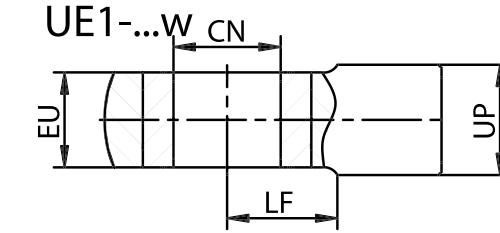
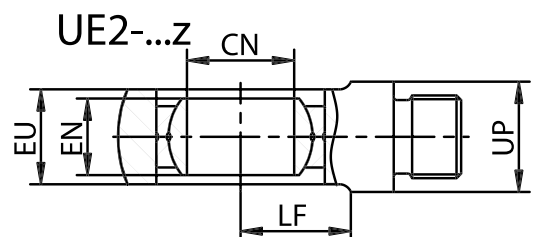
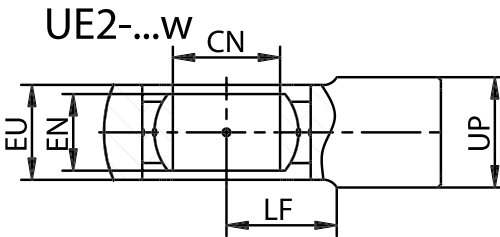
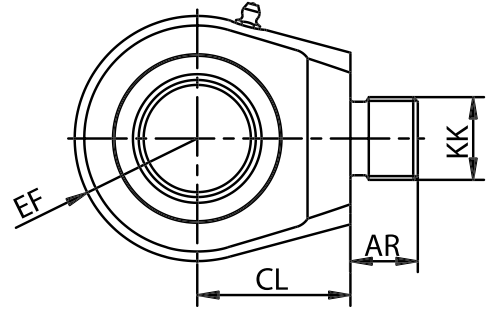
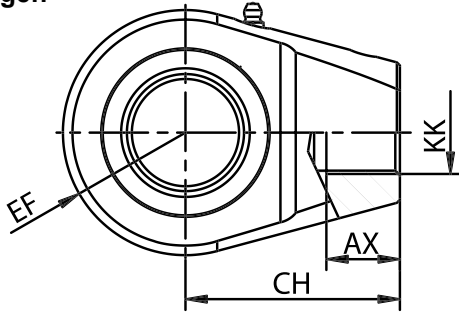
Standardized strokes: 50,80,100,125,160,200,250,320,400,500,630,800,1000,1250,1600,2000



Sposób oznaczania cylindra / Cylinder indication / Zylinderbezeichnung : **CJ7E-P-AL/MM/H D G z/w**

E - odmiana konstrukcyjna / current design / aktuelle Version **H** - skok cylindra / stroke / Hub
P - nominalne ciśnienie pracy / work pressure / Nominaldruck **AL** - średnica tłoka / piston diameter / Kolbendurchmesser
MM - średnica tłocznicy / piston rod diameter / Kolbenstangedurchmesser
D - hamowanie od strony dna (opcja) / braking on bottom side (option) / Dämpfung bei der Bodenseite (Option)
G - hamowanie od strony głowicy (opcja) / braking on piston rod side / Dämpfung bei der Kolbenstangeselbe (Option)
z/w - tłocznico z gwintem zewnętrznym lub wewnętrznym / rod with outer (z) or inner (w) thread / Kolbenstange mit Außengewinde (z) oder Innengewinde (w)

Ucha
Eyes
Augen



| MM | 25 | 32 | 40 | 50 | 63 | 80 | 100 | 125 | 140 | 160 |
|-----------|---------|---------|---------|---------|-------|-------|-------|-------|-------|-------|
| AX | 12 | 14 | 19 | 22 | 24 | 30 | 35 | 50 | 56 | 60 |
| AR | - | - | 17 | 20 | 25 | 30 | 36 | 45 | 50 | 56 |
| CH | 36 | 44 | 50 | 56 | 70 | 88 | 105 | 135 | 150 | 170 |
| CL | - | - | 36 | 40 | 50 | 63 | 75 | 95 | 105 | 120 |
| CN | 16 | 25 | 25 | 30 | 35 | 40 | 50 | 60 | 70 | 80 |
| EF | 21 | 25 | 30 | 36 | 40 | 50 | 60 | 73 | 84 | 97 |
| EU | 14 | 20 | 24 | 26 | 31 | 32 | 40 | 55 | 60 | 65 |
| EN | 14 | 20 | 20 | 22 | 25 | 28 | 35 | 44 | 49 | 55 |
| KK | M12x1,5 | M16x1,5 | M16x1,5 | M22x1,5 | M27x2 | M33x2 | M42x2 | M48x2 | M56x2 | M64x2 |
| LF | 16 | 22 | - | 28 | 36 | 45 | 56 | 70 | 80 | 90 |
| UP | 19 | 24 | 24 | 30 | 36 | 46 | 60 | 70 | 85 | 95 |

Na przykład / For example / Bspiel: UE2-63w