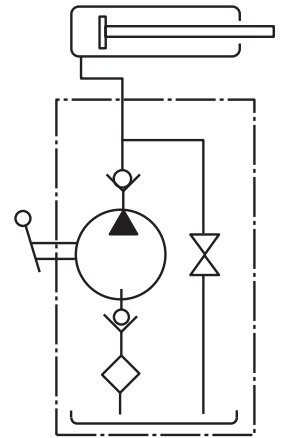
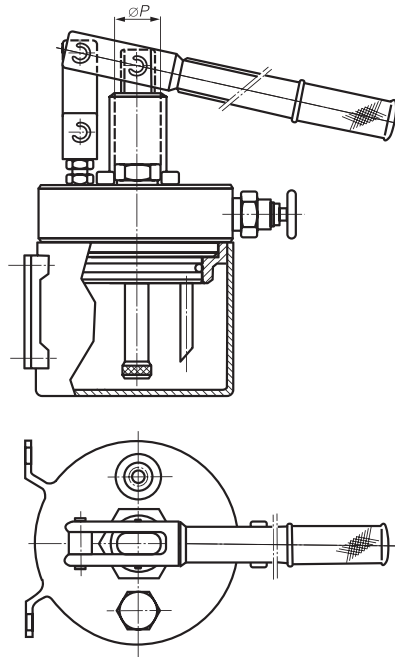
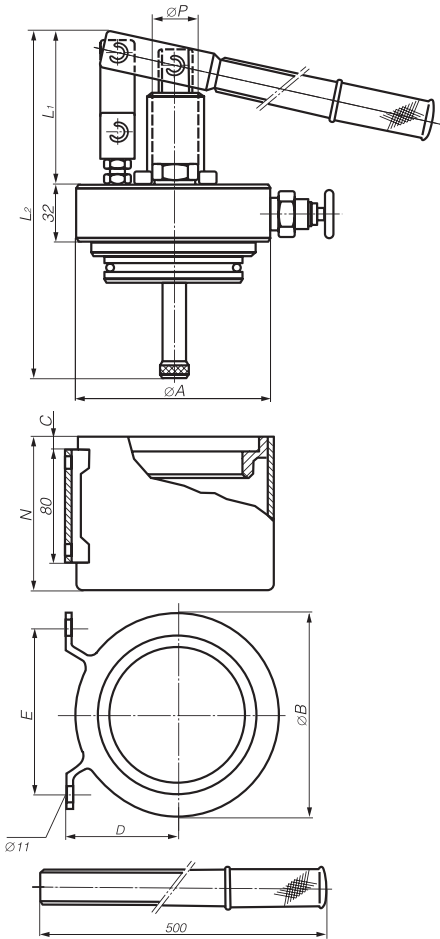


Pompa ręczna
Hand pump
Handpumpe

ZH PR



	V [cm ³]	P _{max} [MPa]	Ø [mm]	L ₁ [mm]	L ₂ [mm]	ØA [mm]	N [mm]	C [mm]	E [mm]	D [mm]	ØB [mm]	V _T [l]
ZH/PR - 5	5	25	18	100	290	150	170	30	130	95	159	3
ZH/PR - 7,5	7,5	25	18	125	415	150	270	80	130	95	159	5
ZH/PR - 10	10	20	19	130	450	150	330	100	130	95	159	6
ZH/PR - 15	15	20	20	145	495	150	330	100	130	95	159	6
ZH/PR - 20	20	15	25	155	400	150	230	60	170	120	219	8